



50Hz

GOCUT Series, these cutter pumps are designed for handling raw sewage and for various wastewater treatments. The cutting mechanism consists of a chopper plate and a tungsten carbide alloy tipped onto each vane of the semi-open channel impeller. The device shreds fibrous materials into small pieces to prevent from clogging.

Sewage Pump

GOCUT 208/215/315

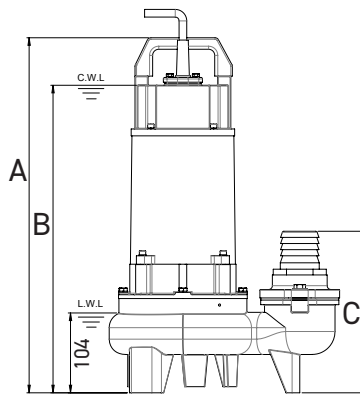
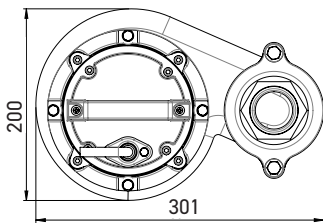
Cutter Pump





	GOCUT 208	GOCUT 215	GOCUT 315
OUTPUT	0.75 kW (1 HP)	1.5 kW (2 HP)	1.5 kW (2 HP)
OUTLET	2" (50 mm)	2" (50 mm)	3" (80 mm)
SOLID PASSAGE	26 mm	27 mm	27 mm
Weight	22 kg	27 kg	27 kg
HEAD	Rated: 8 m Max: 10 m	Rated: 8 m Max: 16 m	Rated: 8 m Max: 16 m
FLOW	Rated: 3.3 L/s Max: 6.7 L/s	Rated: 5.8 L/s Max: 8.3 L/s	Rated: 6.7 L/s Max: 10.8 L/s

Pump Type	Electric Submersible Pumps	
Motor	Phase	1-Phase, 3-Phase
	Type	Induction Motor
	Poles	2 Pole (2850 rpm)
	Insulation	Class F
	Protector	Circle Thermal Protector
	Starter	1-Phase · Capacitor-Run, 3-Phase · D.O.L.
Lubricant	Food Grade (ISO VG32)	
Specs.	Impeller Type	Semi-Open Channel Cutter
	Shaft Seal	Double Mechanical Seal
		Silicon Carbide VS Ceramic/Carbon
	Bearings	C3 Shielded ball bearings
Cable	H07RN-F	
	10 m or longer upon request	
Materials	Pump Casing	Gray Iron
	Impeller	Gray Iron
	Motor Frame	Gray Iron
	Motor Shaft	Stainless Steel
Max. Liquid Temperature	40°C (104°F)	
Max. Submersion Depth	20 m (66 ft)	
pH Range	pH 5 - pH 8	
Guide Rail	GRL-02F (208 215)/GRL-03F (315)	



unit : mm

C.W.L. : Continuous running water level
L.W.L. : Lowest running water level

	A	B	C
GOCUT 208	434	372	211
GOCUT 215	463	401	211
GOCUT 315	463	401	246